

# T100MX+ (Rev D) Programmable Controller Installation Guide

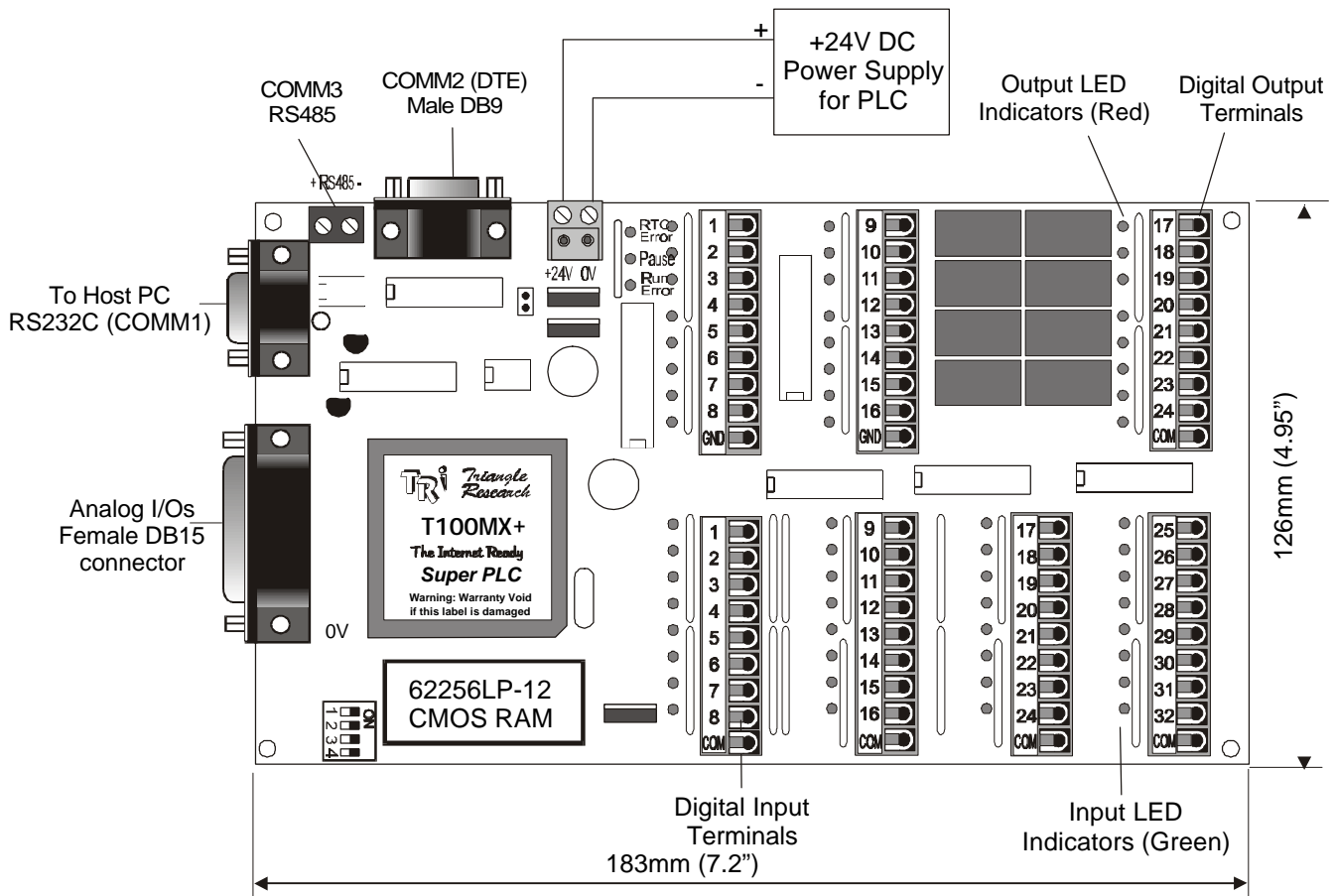


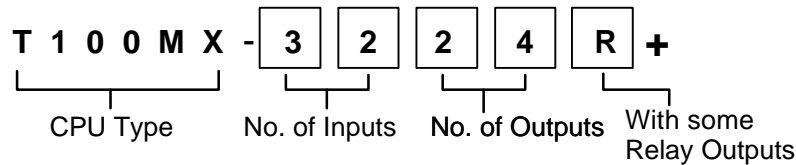
Figure 1 - T100MX-3224R+ PLC

## 1. Introduction

The T100MX+ is a family of powerful programmable controllers. It is a close sibling of the other popular M-series PLCs: the T100MD+ PLCs. The main difference between the two families is that the T100MX+ has 3 serial ports but no built-in LCD port, whereas the T100MD+ has a built-in LCD port but eliminated the second RS232 serial port. Yet another difference being that T100MX+ employs bi-directional opto-isolated input drivers which can interface to both the PNP and the NPN type of inputs. The first RS232 port COMM1 on the T100MX+ is also opto-isolated. Other than that, the T100MX+ and T100MD+ PLCs operate identically from the programming point of view.

The M-series PLCs underwent one major hardware and firmware upgrade in 1999 to give them even more powerful communication ability. The latest hardware revision of the M-series PLC is "Rev D". All Rev D designs are clearly marked along the right edge of the PCB board. This installation guide describes mainly the hardware applicable only to the T100MX+ PLC. For detailed description of the special I/Os and communication protocols which are common to both the T100MX+ and T100MD+ PLCs, please refer to the T100MD+ User's Manual.

Members of the T100MX+ differ only in their digital ON/OFF I/O combination. We will be introducing a few standard models from 32 to 128 I/Os. Special I/O combinations can also be custom-made for OEM customers requiring more than 300 PLCs per year. Models of T100MX+ PLC are defined as follows:



In the above example T100MX-3224+ means that the PLC has 32 ON/OFF type inputs and 24 ON/OFF type outputs. The "R" indicates that some of the outputs are relay type. Models with only transistor-outputs do not carry the "R" label. If you include the 8 channels of analog I/Os, the PLC will have a total of  $32 + 24 + 8 = 64$  I/Os.

## 2. Physical Mounting & Wiring

The compactly designed T100MX+ PLCs can be easily installed in many kinds of plastic or metal enclosures. You need to use 4, 6 or 8 PCB standoffs (or some screws and nuts) to support the controller and to fasten it to a console box. Screw terminals are provided for quick connection to all input and output wires. In addition, each block of screw terminals can easily be detached from the controller body, enabling easy replacement of the controller board when necessary.

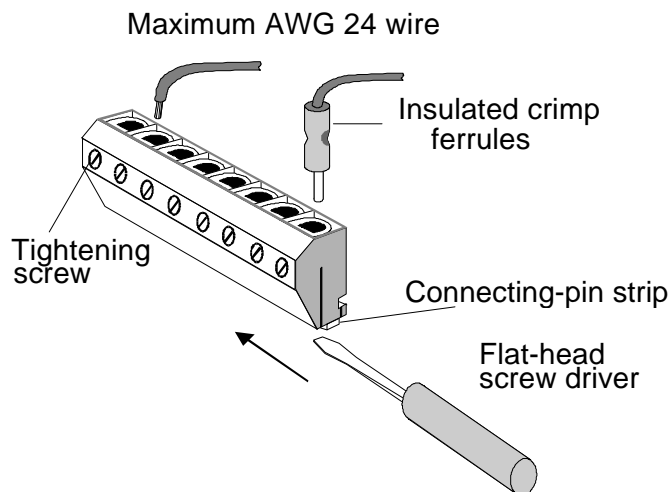


Figure 2 - Removing screw terminal block

Detachable screw terminal blocks are provided for quick connection to all inputs, outputs and power supply wires. Since the terminal block is inserted vertically to the board surface, you need to remove the terminal block before you can start wiring. Insert a small flat-head screw-driver underneath the terminal block and apply even pressure to raise the terminal block until it becomes loosened from the connecting-pin strip, as shown in Figure 2.

### 3. Power Supply

The small T100MX+ PLCs such as the T100MX-3224R+ require a single regulated +24V DC power supply. Although the PLC's CPU can actually run at voltages as low as 12V DC, its built-in electromechanical relays require at least +17V to operate reliably. For all transistor-output models (e.g., the T100MX-4832+), the PLCs can operate at much wider voltage range of between 12 to 24V DC power supply. Although the PLC can use either linear or switching power supply, please take note that if you require very accurate analog reading from the on-board ADC, then you should use only a good linear power supply that is free of ripples. Switching power supply are well known to be noisy and can affect the accuracy of analog reading,

The higher I/O models such as T100MX-4832+ also possess two separate power connectors: One is the "CPU power" and the other marked the "I/O power" as shown in Figure 3. These two power connectors are internally connected on the Rev D version of T100MX-4832+. Hence you should use a single regulated, 12V to 24V DC power supply (+/-5% fluctuation) to connect to both power supply inputs. Using separate wires for the CPU and the I/O help to reduce the noisy load power from the CPU power.

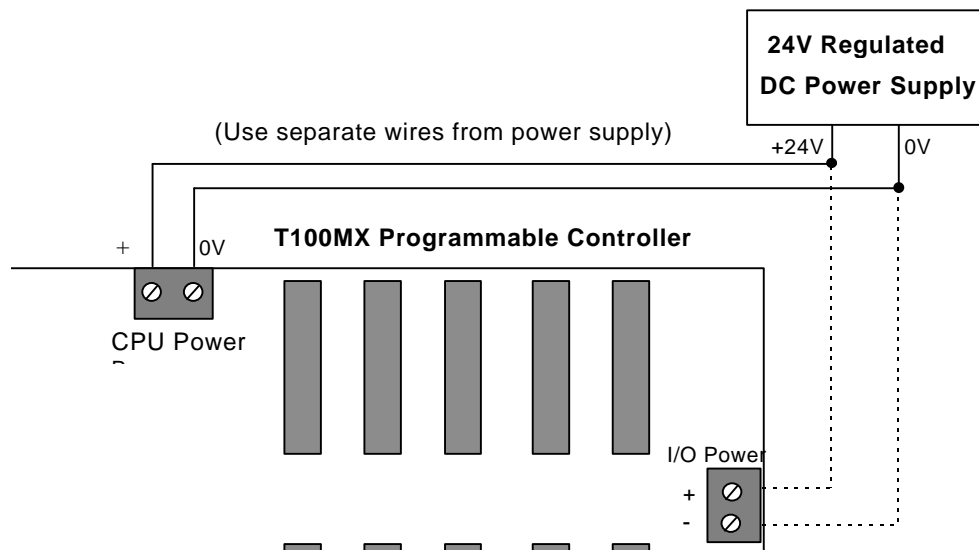


Figure 3 - Connecting Power Supply

Please use two separate pairs of wires to connect the power supply to the CPU section and the I/O section, as shown in Figure 3. The required current rating for the power supply depends mainly on the total output current, taking into consideration the peak current demand and the duty cycle of the operation.

### 4. Input Circuits

Examine the silk-screen markings on the T100MX+ PCB and you should be able to find markings such as "Input 1-8", "Input 9-16", etc. which indicate the

locations of the Input terminals. All inputs have green color LED indicators. Every 8 inputs are grouped together into a single strip of detachable screw terminal and it shares a single COM (common) terminal. All inputs employ bi-directional opto-isolators and they can be connected to either PNP (source current) or NPN (sink current) types of sensor-outputs. The input numbers are marked on their screw terminals as well as on the PCB alongside the strip pin.

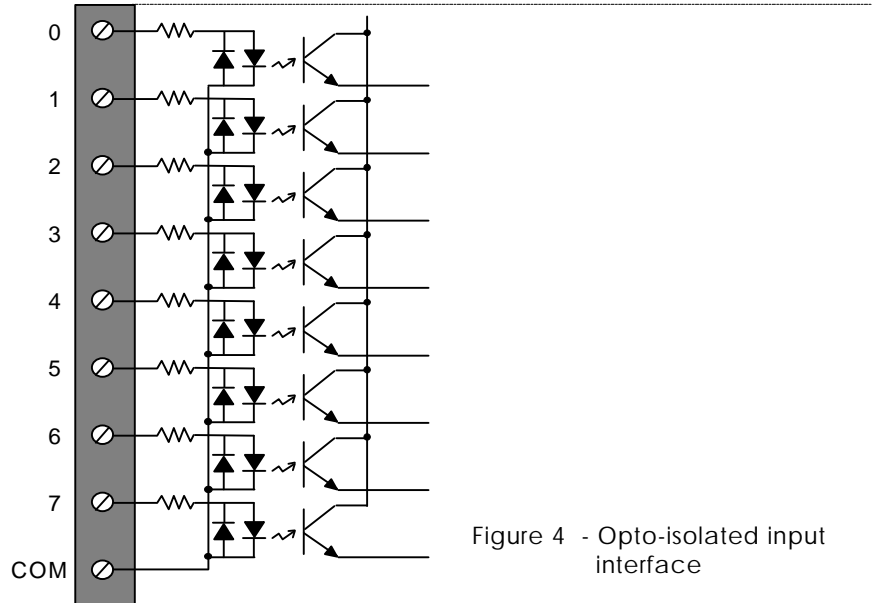


Figure 4 - Opto-isolated input interface

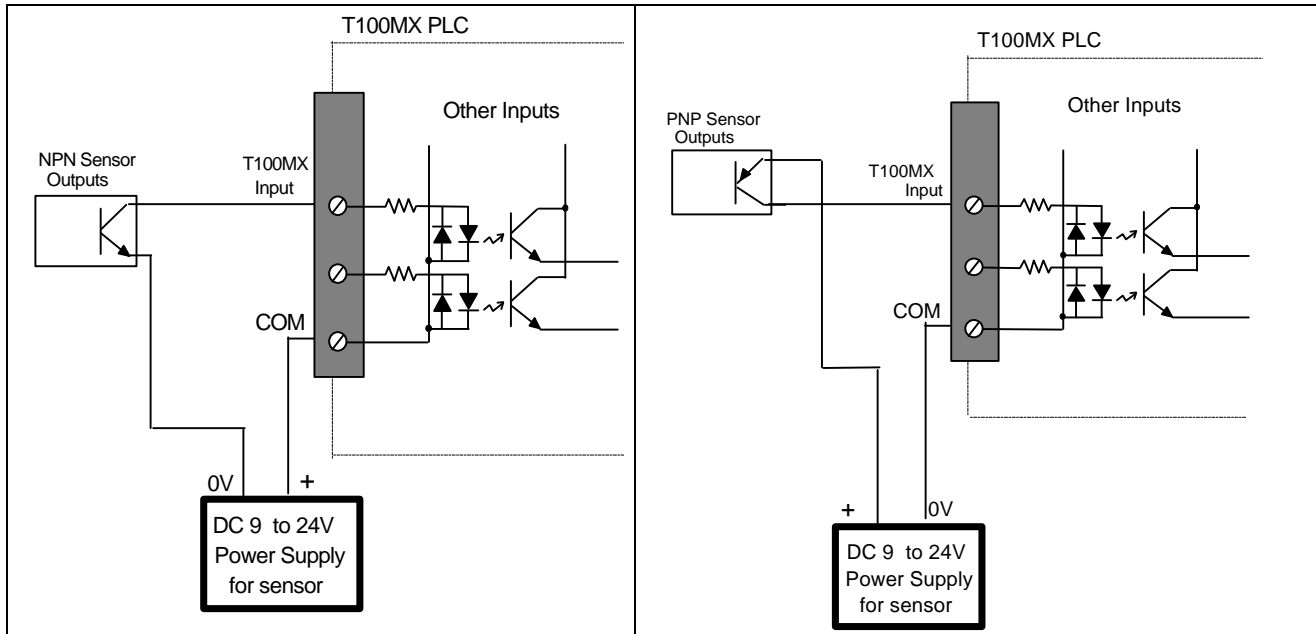


Figure 5 - Input Interfacing to PNP and NPN type sensors

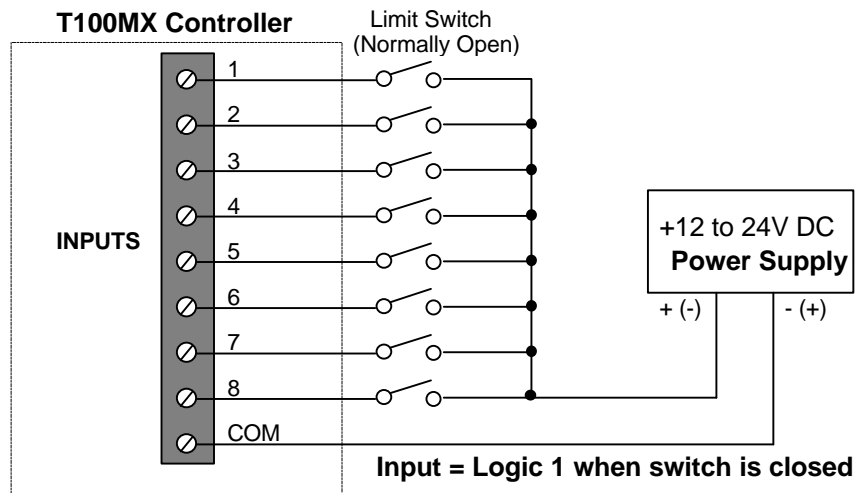


Figure 6 - Input Interfacing to Limit Switches

**Inputs Electrical Specification:**

Input Voltage for Logic 1: +9V to +24V, > 4 mA

Input Voltage for Logic 0: Open Circuit or leakage current < 1 mA.

**5. Output Circuits**

Examine the silk-screen markings on the T100MX+ PCB and you should be able to find markings such as "Output 1-8", "Output 9-16", etc. which indicate the locations of the output terminals. All outputs have red color LED indicators. An output may be a power transistor or a relay type:

**Transistor Outputs**

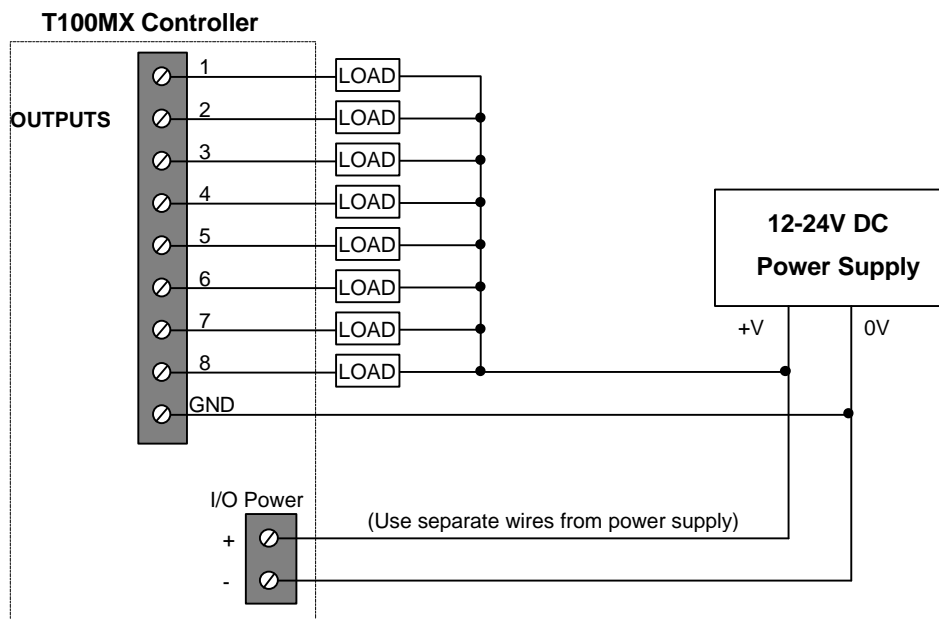


Figure 7 - Transistor Output Interfacing to Load

All T100MX+ PLCs employ "sink" (NPN) type power transistor outputs that turn ON by sinking current from the load to the ground. Every 8 outputs are grouped together into a single strip of detachable screw terminal and they share a single GND (ground) terminal. These "GND" terminals provide the return paths of the sunk current back to the power source and hence must be connected to the 0V terminal of the power supply.

### IMPORTANT

To minimize the effect of switching noise, use a separate pair of cables to connect the "I/O Power" terminal to the power supply. If many high current loads are to be switched, then you should also use a separate cable to connect each "GND" terminal to the 0V of the power supply. That is, each ground should be terminated only at the power supply source. Parallel connection from terminal to terminal is not recommended, as illustrated in the following diagram.

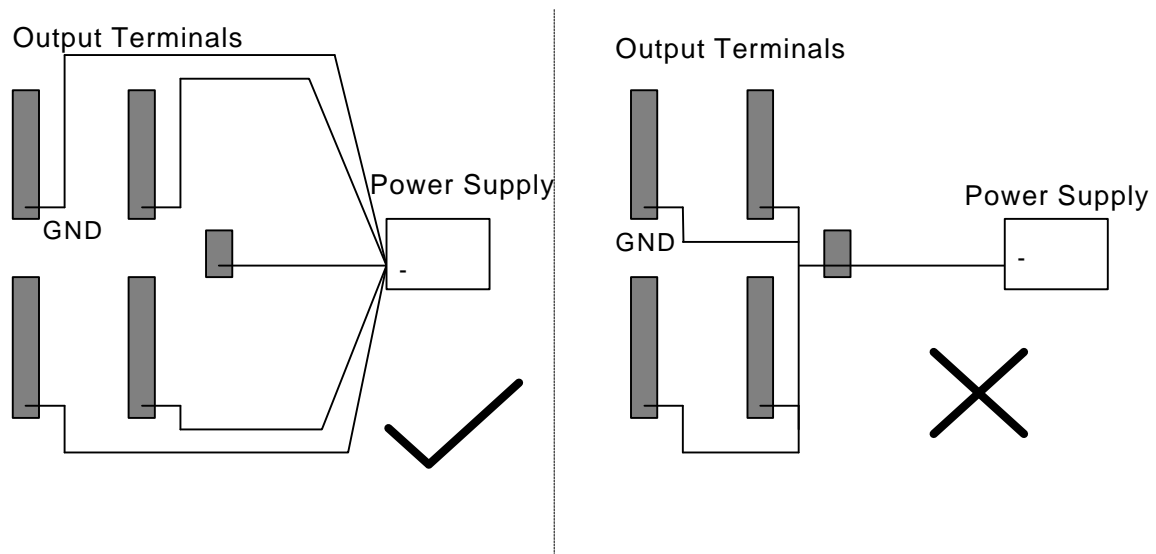


Figure 8 - Preferred Wiring Method of GND terminals

### Transistor Outputs Electrical specifications:

	Output #5 to #8	All Other Transistor Outputs (1- 4, 8-16, ...)
<b>Output Driver type</b>	NPN Darlington Power Transistors	N-Channel power MOSFET with low $r_{DS} = 1 \Omega$
<b>Maximum Output Current:</b>	1.0A	1.0A
<b>Continuous Output Current</b> (with all other outputs ON)	250mA	350mA
<b>Output Voltage when OFF</b>	Resistor pulled up to $V+$ of the I/O power	
<b>Output Voltage when ON:</b> @ $I_{out} = 700 \text{ mA}$	1.2V	0.7V

<b>Inductive Back EMF Bypass</b>	Yes	Yes
<b>Short Circuit Protection</b>	No	Yes (Built-in current limiter)

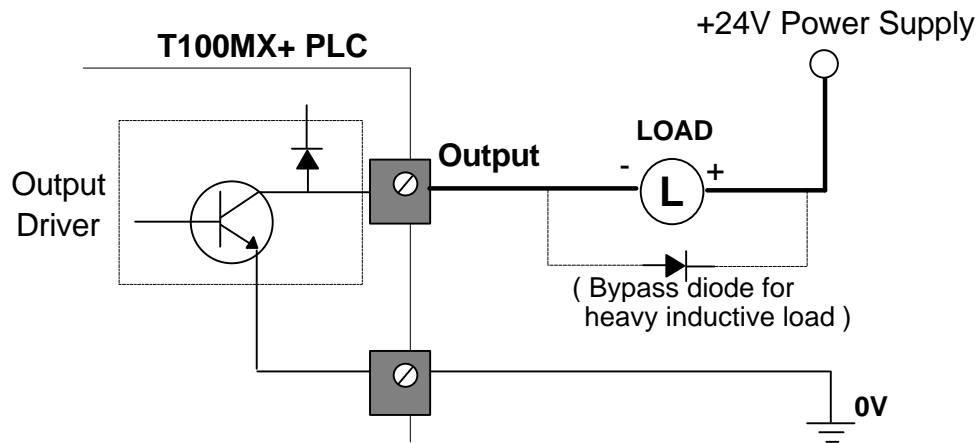


Figure 9 - Suppression of inductive kick.

**Note:** When driving large inductive loads which are situated far away from the controller, try to connect an external bypass diode across the load to suppress inductive noise, as shown in the above diagram.

### Relay Outputs

Some relay outputs are provided on models such as the T100MX-3224R+. These are all normally-open, voltage-free relay outputs. Every 8 outputs share a common terminal (COM). Each output has an LED indicator adjacent to its terminal which lights up when the output is turned ON.

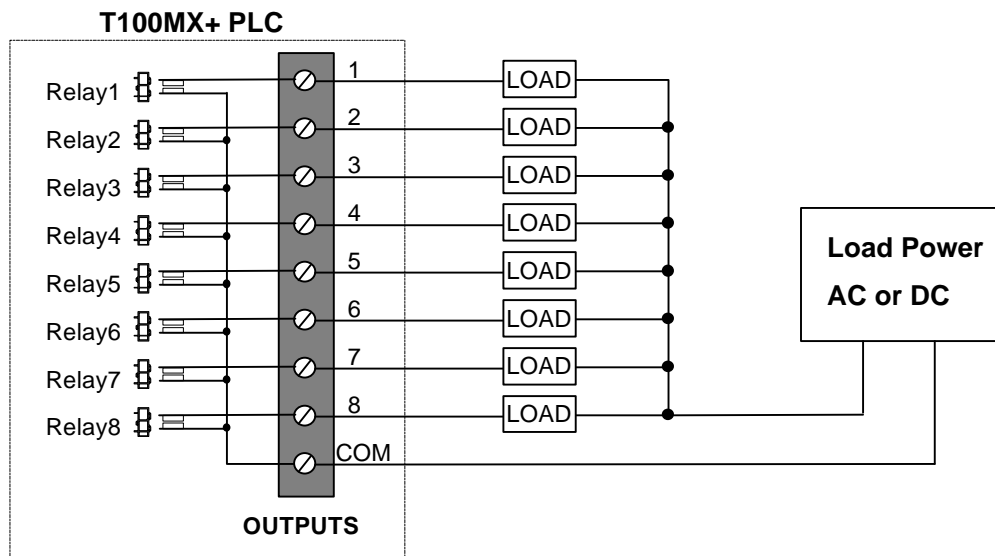


Figure 10 - Relay Output interfacing to load

Relay Outputs Electrical specifications:

Output type : Relay contacts, Normally-open.  
 Current Rating @24V DC : 2A (Electrical life =  $2 \times 10^5$  cycles)  
 @250V AC : 2A (Electrical life =  $2 \times 10^5$  cycles)  
 @125V AC : 3A (Electrical life =  $2 \times 10^5$  cycles)

Maximum total current : 5A (per block of 8 outputs)

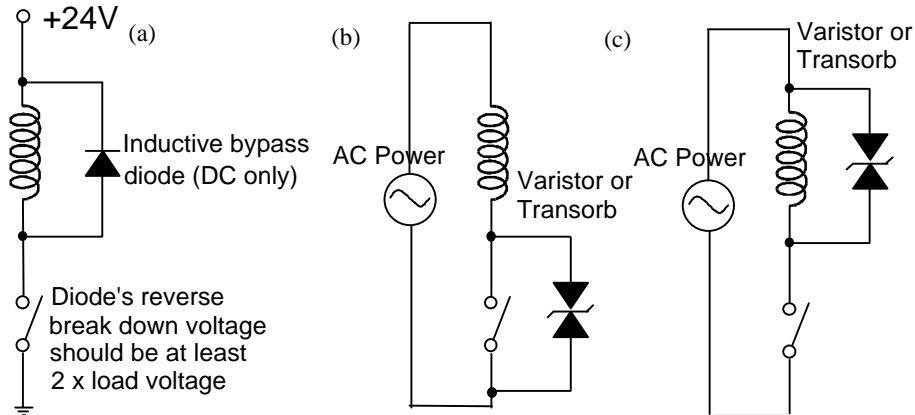


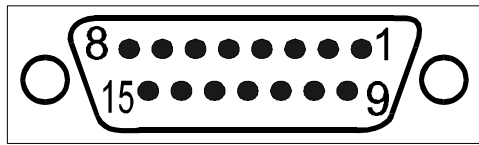
Figure 11 - (a) Inductive snubber circuit - DC load only.  
 (b), (c) Inductive snubber circuit - AC/DC load.

**Note:** When switching inductive load, always ensure that either a varistor or bypass diode is connected to absorb inductive kick which occurs when the relay contact opens. If left unchecked, the inductive kick causes an electric arc to form across the contact which will wear out the contact material and severely shorten the contact life of the relay.

## 6. Analog I/Os

The 8 analog I/O channels and the analog reference voltage are available on a DB15 female socket as shown below:

Signal	Pin #
A/D #1	8
A/D #2	7
A/D #3	6
A/D #4	5
A/D #5	4
A/D #6	3
A/D #7 or D/A #1	2
A/D #8 or D/A #2	1
$AV_{CC}$	13 - 15
$AV_{SS}$	9 - 11



Note that pin #2 and #1 are A/D inputs (AD7 and AD8) after system RESET. You may configure either one or both of them as D/A outputs by executing the "setDAC" command on the respective channel(s). After that they will stay on as D/A outputs until a system RESET has been performed.

You have to provide a precise +5V Reference voltage to the AV<sub>cc</sub> pins (pin #13, 14 or 15) and connect the 0V of the Reference voltage to the AV<sub>ss</sub> pins (pin #9,10 or 11). Please note that although there is a +5V voltage at pin #12 which is the digital power supply to the CPU, it is available for factory-testing purpose only. You should not use this voltage as the analog reference voltage unless it is a very simple potentiometer application only.

### CAUTION!

The analog signals on the DB15 connector are unbuffered and goes directly to the T100MX+ CPU. Users are cautioned to exercise great care when connecting any analog voltages to the T100MX+'s analog port. Any wrong voltages connected to the port pin which exceeds the absolute maximum ratings can damage the CPU instantly. Such damage will not be covered by warranty. When connecting the analog input to an external analog device, you may like to add a 2.2K resistor in series with the analog signal to limit input current and this can help to protect against accidental or induced over-voltage to the input pins.

#### Absolute Maximum Ratings

AV<sub>cc</sub> : -0.3V to +7.0V with reference to 0V of the CPU's power.  
 Analog Input: -0.3V to AV<sub>cc</sub> + 0.3V (Note that this means the AV<sub>cc</sub> and AV<sub>ss</sub> must be connected before the analog input voltage is connected to the A/D pin.

#### A/D Electrical Characteristics

No. of A/D Channel : 8 (without D/A) or 6 (with 2 D/A).  
 Resolution: :10-bit (normalized to 12-bit by ADC(n))  
 Built-in Sample & Hold : Yes.  
 Conversion Time :10μs per channel.

#### D/A Electrical Characteristics

No. of D/A channel : 2 (if enabled).  
 Resolution: : 8-bit (normalized to 12-bit in SETDAC)  
 Conversion Time : 10μs per channel.  
 Output voltage : 0V to AV<sub>cc</sub>

## 7. Serial Communication

All T100MX+ PLCs feature two built-in RS232C ports (COMM1 and COMM2) and one built-in RS485 port (COMM3). Note that all three serial ports are independent and may operate simultaneously. COMM1 and COMM3 are functionally identical to those on the T100MD+ PLCs. Please refer to the T100MD+ User's Manual for detailed description of the operations of these two ports. However, COMM1 on the T100MX+ is implemented with opto-isolated interface design whereas on the T100MD+ the COMM1 is implemented using only transistor level shifters and is not opto-isolated.

### 7.1 COMM1: RS232C Port with Female DB9 Connector

This port is configured as a DCE (Data Communication Equipment) and is designed to connect directly to the PC's serial port using a common PC type RS232 cable. It is an opto-isolated port for T100MX+. COMM1 communicates with the host computer at a default maximum baud rate of 38,400 bit-per-second. If DIP switch SW1-4 is set during power-on, COMM1 default baud rate will be changed to 9600 baud. This is the main communication port for program transfer and on-line monitoring of the PLC. The pin connections with the host PC are shown below:

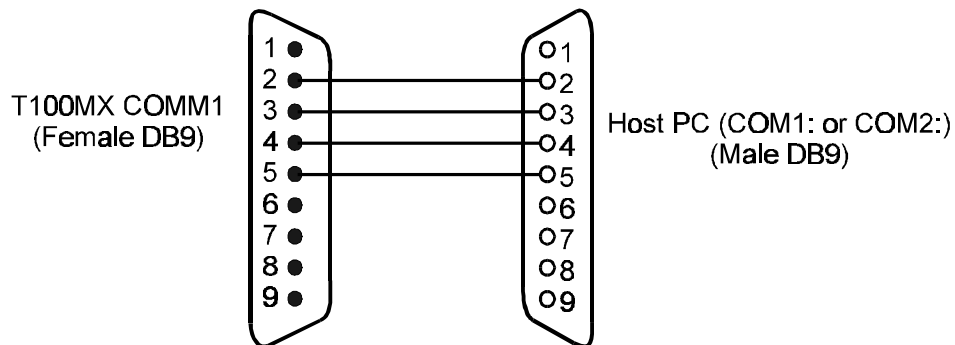


Figure 12 - Connecting COMM1 with PC

For T100MX+, the opto-isolated interface taps a +9V power from the host PC's serial port DTR signal pin, hence it is necessary for the host PC to activate its DTR (Data Terminal Ready) pin (pin #4) to logic '1'. The programming software TRiLOGI automatically turns ON DTR pin when it is running. However, for the user's own communication routine to work properly, this requirement must be met. (See BASIC and C example programs "Host485.bas" and "Host485.exe")

#### Connecting COMM1 to Other RS232 Devices

You may also connect COMM1 to another DCE device (e.g., a modem) on the condition that the other device is able to supply a +9V to pin 4 of the

T100MX+ PLC. You will need to make a special cable which swap the transmit and receive signals, as follow:

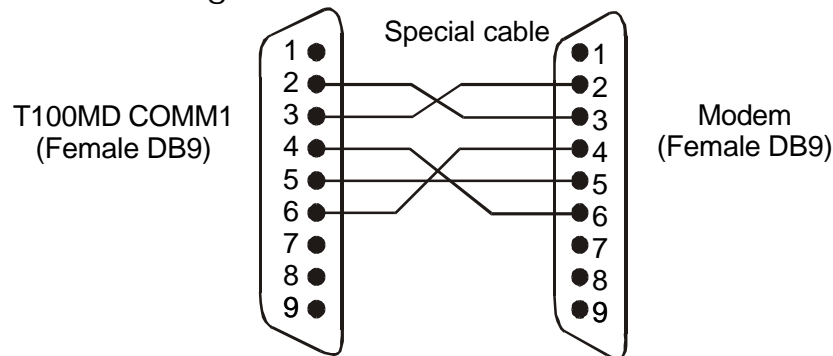


Figure 13 - Connecting COMM1 to a MODEM

Pin 4 and 6 are handshaking signals whose presence may be required by some modems to work properly, so these pins are connected as shown in the diagram. However, some modems may not have sufficient drive current on their DSR (pin #6) to supply to the PLC's opto-isolated interface. If you find that the modem is not responding to commands from the PLC (such as putting it to auto answer mode) then you can use a separate 9V battery or external power supply to power up the Opto-isolated RS232 circuits of the PLC as shown below.

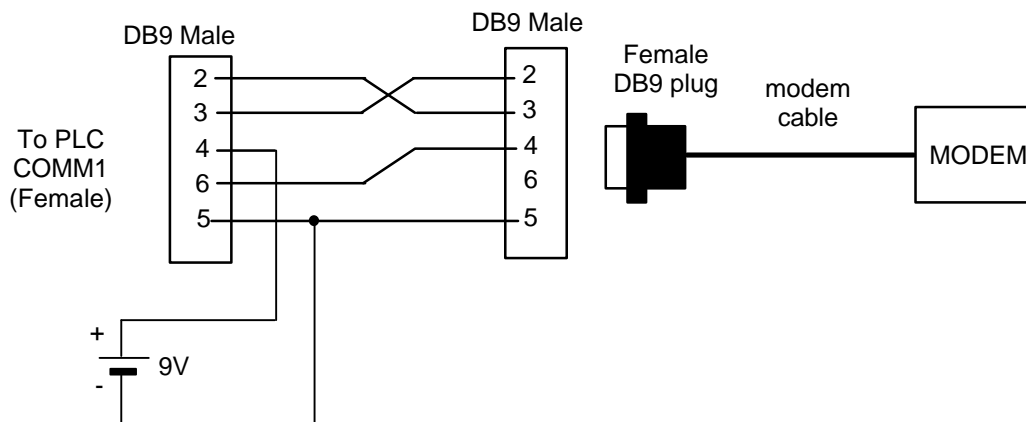


Figure 14 - Connecting COMM1 to a modem with weak DTR line

## 7.2 COMM2: RS232C Port with Male DB9 Connector

This port is configured as a DTE (Data Terminal Equipment, similar to the PC) and is designed to connect directly to peripherals such as bar code scanner, serial printer and modem using the cable supplied with the equipment. (These cables are normally meant for connecting to a PC.) You can also use this port to send "Host-Link Commands" to another M- or H-series PLC to activate certain program sequences.

This RS232C port is not opto-isolated but it generates true RS232 voltage levels (-9V to +9V) and it has a +9V available on its DTR pin (pin #4). This

means it can be used to power up other opto-isolated serial interfaces (such as those on another T100MX+ or H-series PLC).

### PC Connection

If you wish to connect COMM2 to a PC such as for data acquisition purpose, you need a "null-modem" which is a cable that crisscrosses the transmit/receive and control-signal lines, as follow:

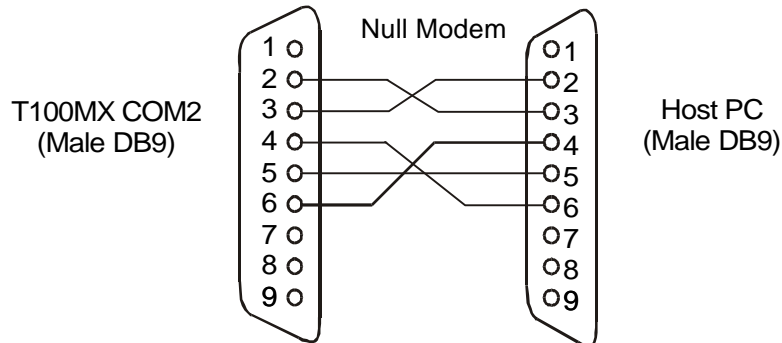


Figure 15 - Connecting COMM2 to a host PC

### Baud Rate and Communication Format

Unlike COMM port 1 and 3 which operate over a much wider range of baud rates and communication formats, COMM2 is fixed to communicate only at 8 data bit, 1 stop bit and no parity. Its baud rate however may be defined from 2400 bps to 19200 bps as shown in the following table:

**SETBAUD Table for COMM2**

Baud Rate No.	Transmission Speed
1	2400 bps
2	4800 bps
3	9600 bps (default)
4	19200 bps

E.g. to set COMM 2 baud rate to 19200, simply execute the following statement within a custom function:

```
SETBAUD 2,4
```

## **8. Trouble-shooting:** If you can't communicate with the PLC...

### Unable to communicate with the PLC at all

If this is your first encounter with a T100MX+ or T100MD+ PLC and you could not get TRiLOGI to talk to the PLC at all either to transfer a program or to

perform on-line monitoring, then please refer to the User's Manual for possible causes of error and the solutions

#### No communication after transferring a new program

If you have been communicating with the PLC successfully, then all of a sudden, after transferring your new TBASIC program, you keep encountering "Communication error" and could not resolve the problem. Turn DIP switch position #4 to ON position, this forces the PLC to stop executing its ladder program. Now try to communicate again. If it works it proves that your program is not well-behaved thus affecting communication with the Host PC. Debug your program to remove offending program codes which could have locked up the CPU so that it does have time to talk to the host at all.

If there is still no communication, then with DIP switch #4 set at ON position, reset the PLC (by first turning OFF the PLC's power and then back to ON again). If you are now able to communicate, then transfer a blank program to the PLC to overwrite the existing one.

If none of the above works, your PLC could have been damaged. Please send your PLC to an authorized dealer for inspection and repair.